

**DESCRIPTION**

The UCAN Cast-in Place Zamac Insert is designed for pre-planned fastening in concrete. The insert provides rustproof threaded metal holes in precast, pre-stressed or poured-in-place concrete. It is die cast of a zinc alloy (ZAMAC 5), which provides excellent resistance to atmospheric conditions and will not mar or stain finished installations.

**FEATURES**

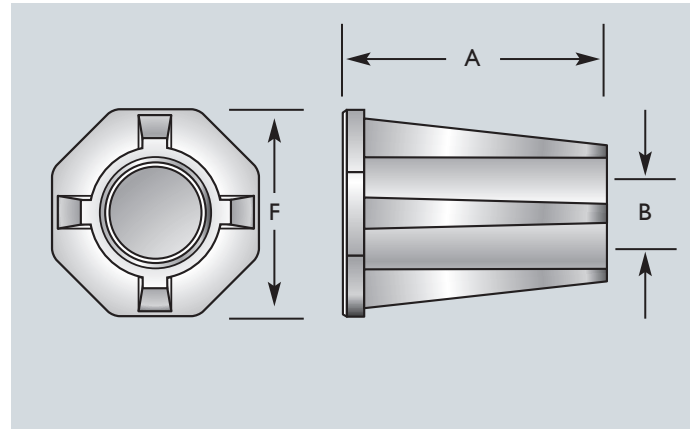
- Fastening is simplified when inserts are cast-in prestressed units, slabs and poured in concrete structures
- Preplanned location of inserts eliminates costly concrete drilling and masonry anchor installation
- 100% Rust Proof.

**MATERIAL SPECIFICATION**

BODY: ZAMAC 5

**TYPICAL APPLICATIONS**

- Heavy Machinery
- Railings
- Park Benches
- Utility Poles
- Line Machinery
- Air Ducts
- Traffic Lights
- Theater Chairs
- Conveyor Systems
- Electrical



**NOTE:**

Apply *Safety Factor* to ensure the working load per anchor does not exceed 1/4 of the tabulated ultimate load, under static loading conditions.

**INSTALLATION AND LOAD DATA**

Part No.	Size inch	Insert Length (A) inch	Thread Size (B) inch	Base Width (F) inch	Full Thread Engagement inch	Bolt/Rod Dia.	Installation Torque	Ultimate Tension Load (lbf)	
								2,500 psi concrete	5,000 psi concrete
PZI 10	10-24 x 11/16	11/16	10-24	7/16	5/8	10-24	10 inch-lbs	N/A	850
PZI 15	1/4 x 1-1/2	1-1/2	1/4-20	13/16	7/8	1/4	32 inch-lbs	2,250	N/A
PZI 24	3/8 x 1	1	3/8-16	7/8	7/8	3/8	8 ft-lbs	1,850	2,600
PZI 25	3/8 x 1-3/8	1-3/8	3/8-16	7/8	1-1/8	3/8	8 ft-lbs	2,900	4,600
PZI 35	1/2 x 1-1/2	1-1/2	1/2-13	1-1/4	1-1/4	1/2	19 ft lbs	5,068	5,430
PZI 36	1/2 x 2-7/8	2-7/8	1/2-13	1-3/8	2-1/2	1/2	19 ft-lbs	N/A	N/A
PZI 45	5/8 x 1-11/16	1-11/16	5/8-11	1-3/8	1-3/8	5/8	40 ft-lbs	6,672	6,835
PZI 46	5/8 x 2-7/8	2-7/8	5/8-11	1-9/16	2-1/2	5/8	40 ft-lbs	13,375	N/A
PZI 55	3/4 x 1-11/16	1-11/16	3/4-10	1-9/16	1-1/2	3/4	58 ft-lbs	6,910	8,205
PZI 56	3/4 x 3	3	3/4-10	1-3/4	2-1/2	3/4	58 ft-lbs	N/A	16,375

Note: Loads are provided as guide values only.